



US00D810912S

(12) **United States Design Patent**
McRoberts

(10) **Patent No.:** **US D810,912 S**

(45) **Date of Patent:** **** Feb. 20, 2018**

(54) **CEILING FAN**

D671,202 S 11/2012 Searle
D710,489 S 8/2014 Shurtleff
D710,988 S * 8/2014 Pan D23/411
D744,081 S 11/2015 Wang

(71) Applicant: **HUNTER FAN COMPANY**,
Memphis, TN (US)

(72) Inventor: **Claire Bernice McRoberts**, Memphis,
TN (US)

(73) Assignee: **Hunter Fan Company**, Memphis, TN
(US)

(**) Term: **15 Years**

(21) Appl. No.: **29/557,198**

(22) Filed: **Mar. 7, 2016**

(51) **LOC (11) CL.** **23-04**

(52) **U.S. CL.**
USPC **D23/377; D26/59**

(58) **Field of Classification Search**
USPC D23/355, 370-376, 378-387, 412, 414,
D23/377, 411, 413; D26/59; D12/214
CPC F04D 25/088; F21V 33/0096
See application file for complete search history.

(56) **References Cited**

U.S. PATENT DOCUMENTS

D358,877 S	5/1995	Tsuji	
D407,154 S	3/1999	Thomas	
D480,470 S	10/2003	Tsuji	
D485,347 S	1/2004	Bucher	
D523,952 S *	6/2006	Ertze	D23/411
D527,451 S	8/2006	Glasbrenner	
D572,815 S *	7/2008	Hidalgo	D23/411
D594,540 S *	6/2009	Pan	D23/377
D594,543 S *	6/2009	Pan	D23/377
D598,533 S *	8/2009	Smith	D23/377
D604,406 S	11/2009	Patton	
D611,136 S *	3/2010	Orozco	D23/377
D621,496 S	8/2010	Chen	
D627,870 S	11/2010	Wang	

OTHER PUBLICATIONS

Hunter 53333 52" Donegan Onyx Bengal Ceiling Fan with Light, date first available Feb. 29, 2016, site visited Aug. 30, 2017, Copyright @ 1996-2017, <https://www.amazon.com/Hunter-53333-Donegan-Ceiling-Fan/dp/B01CDFYQCM/ref=sr_l_1?s=hi&ie=UTF8&qid=1504126548&sr=1-1&keywords=hunter+donegan+ceiling+fan>.*
Hunter Fan Company 59126 The Mariner, date first available Mar. 13, 2012, site visited Sep. 28, 2017, Copyright © 1996-2017, <https://www.amazon.com/Hunter-Fan-Company-59126-Mariner/dp/B0015WU9B0/ref=sr_l_1?s=hi&ie=UTF8&qid=1506523786&sr=1-1&keywords=hunter+ceiling+fan+mariner>.*

(Continued)

Primary Examiner — Cathron C Brooks
Assistant Examiner — Sharon S Oum
(74) *Attorney, Agent, or Firm* — McGarry Bair PC

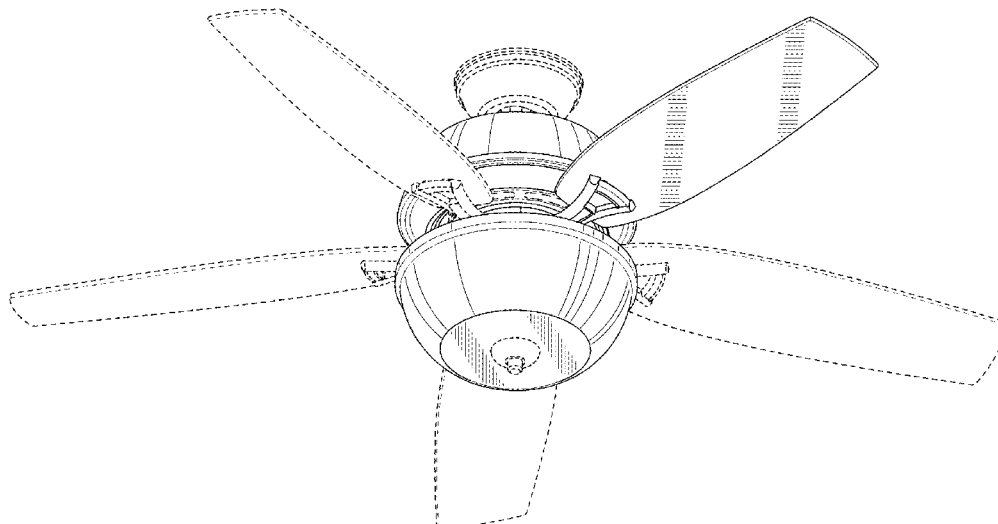
(57) **CLAIM**

The ornamental design for a ceiling fan, as shown and described.

DESCRIPTION

FIG. 1 is a bottom perspective view of a ceiling fan showing my new design;
FIG. 2 is a top perspective view of the ceiling fan of FIG. 1;
FIG. 3 is a front side view of the ceiling fan of FIG. 1;
FIG. 4 is a left side view of the ceiling fan of FIG. 1;
FIG. 5 is a rear side view of the ceiling fan of FIG. 1;
FIG. 6 is a right side view of the ceiling fan of FIG. 1;
FIG. 7 is a top view of the ceiling fan of FIG. 1; and,
FIG. 8 is a bottom view of the ceiling fan of FIG. 1.
Portions of the ceiling fan shown in broken lines form no part of the claimed design.

1 Claim, 6 Drawing Sheets



(56)

References Cited

OTHER PUBLICATIONS

<http://www.hunterfan.com/Ceiling-Fans/Hartwell>, Item Specification for the Hunter Hartwell 46" Ceiling Fan Model No. 51067 New Bronze Finish 5 Roasted Oak blades included, accessed Mar. 7, 2016.

<http://www.kichler.com/products/product/fan-light-kit-mul-338509mul.aspx>, Item Specification for the Kichler Mul Fan Light Kit MUL Model No. 338509MUL (Multiple), accessed Mar. 7, 2016.

<http://www.kingoffans.com/#/products/ceilingFans>, Item Specification for the King of Fans Blackstone Model No. 70222, accessed Mar. 7, 2016.

* cited by examiner

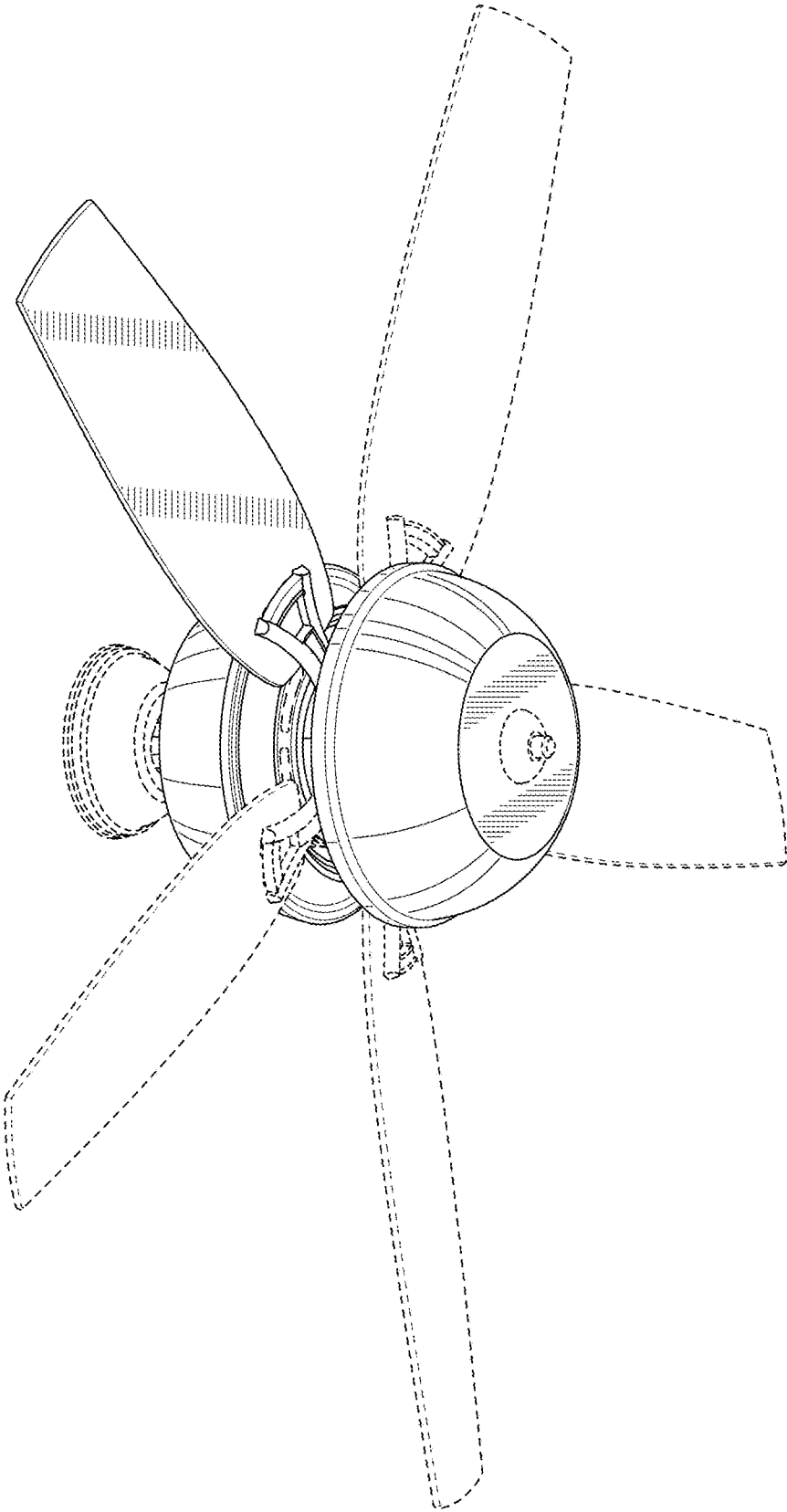


FIG. 1

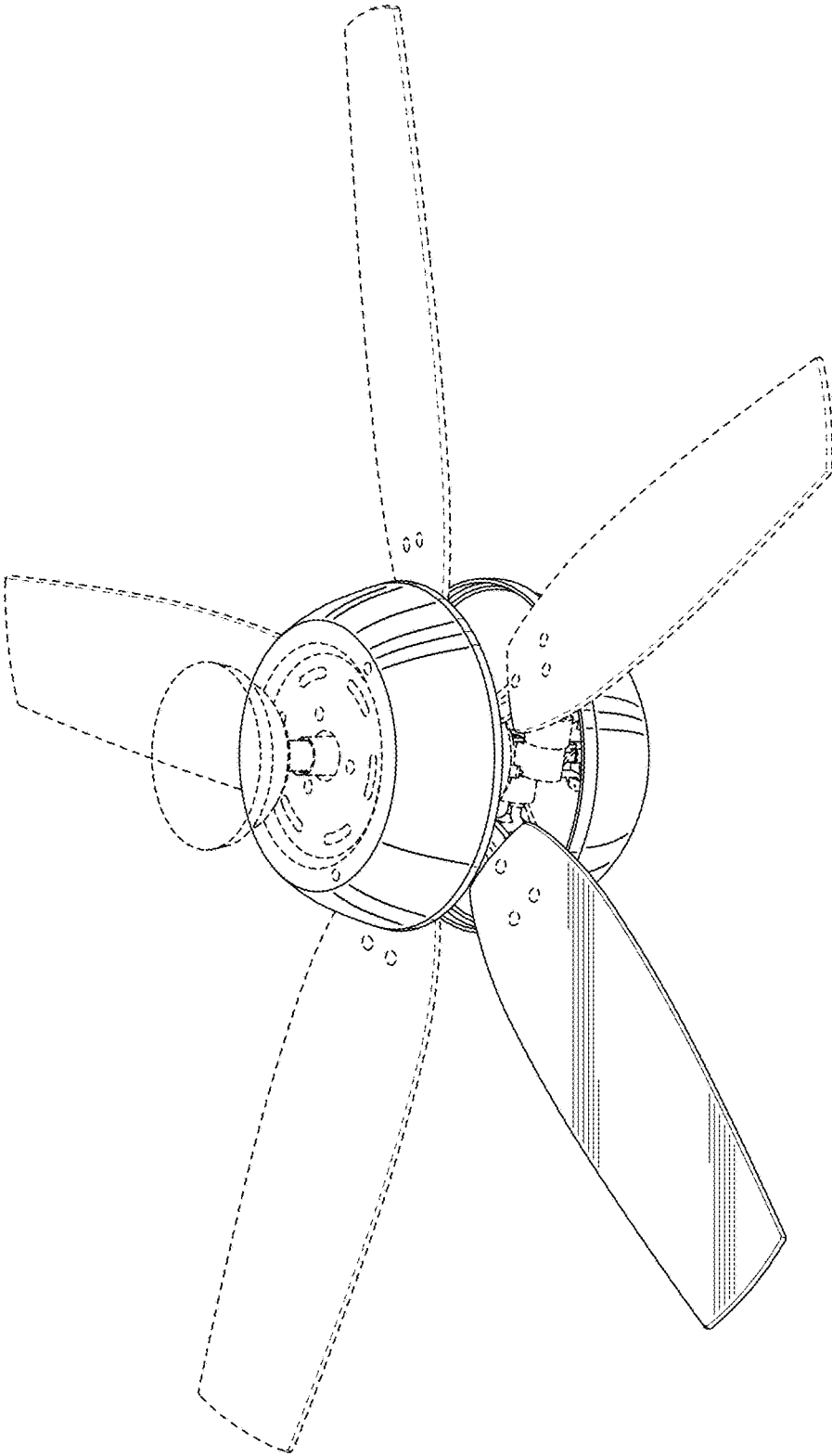


FIG. 2

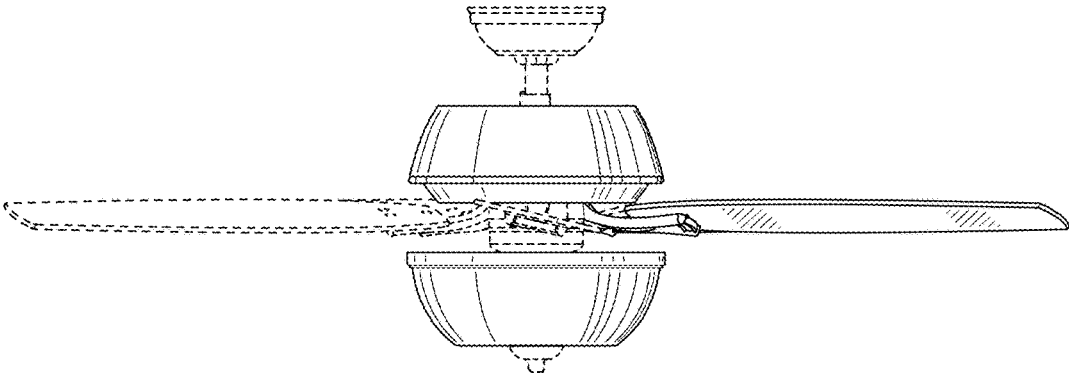


FIG. 3

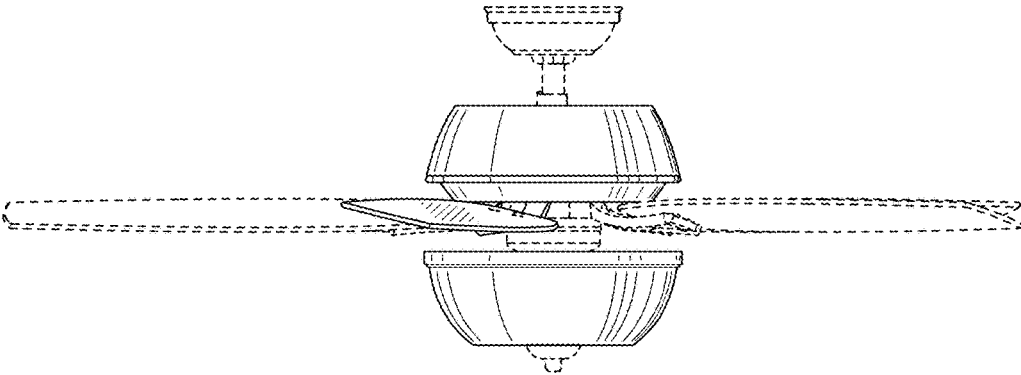


FIG. 4

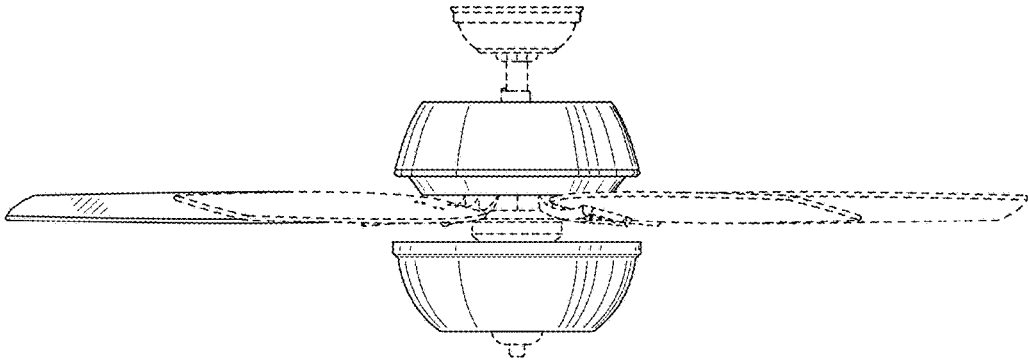


FIG. 5

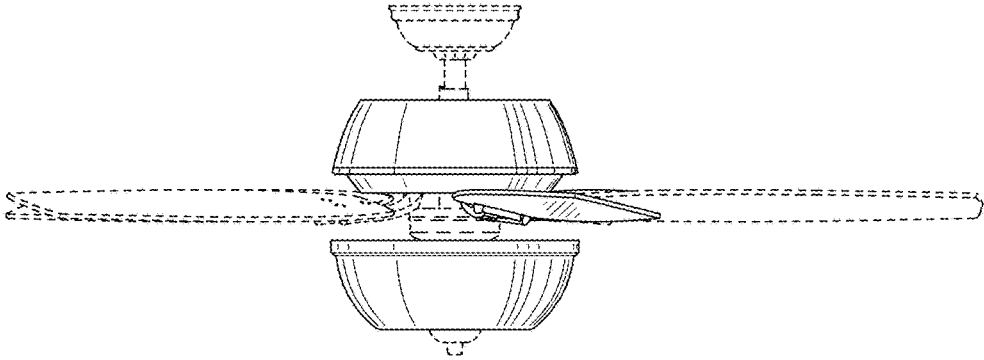


FIG. 6

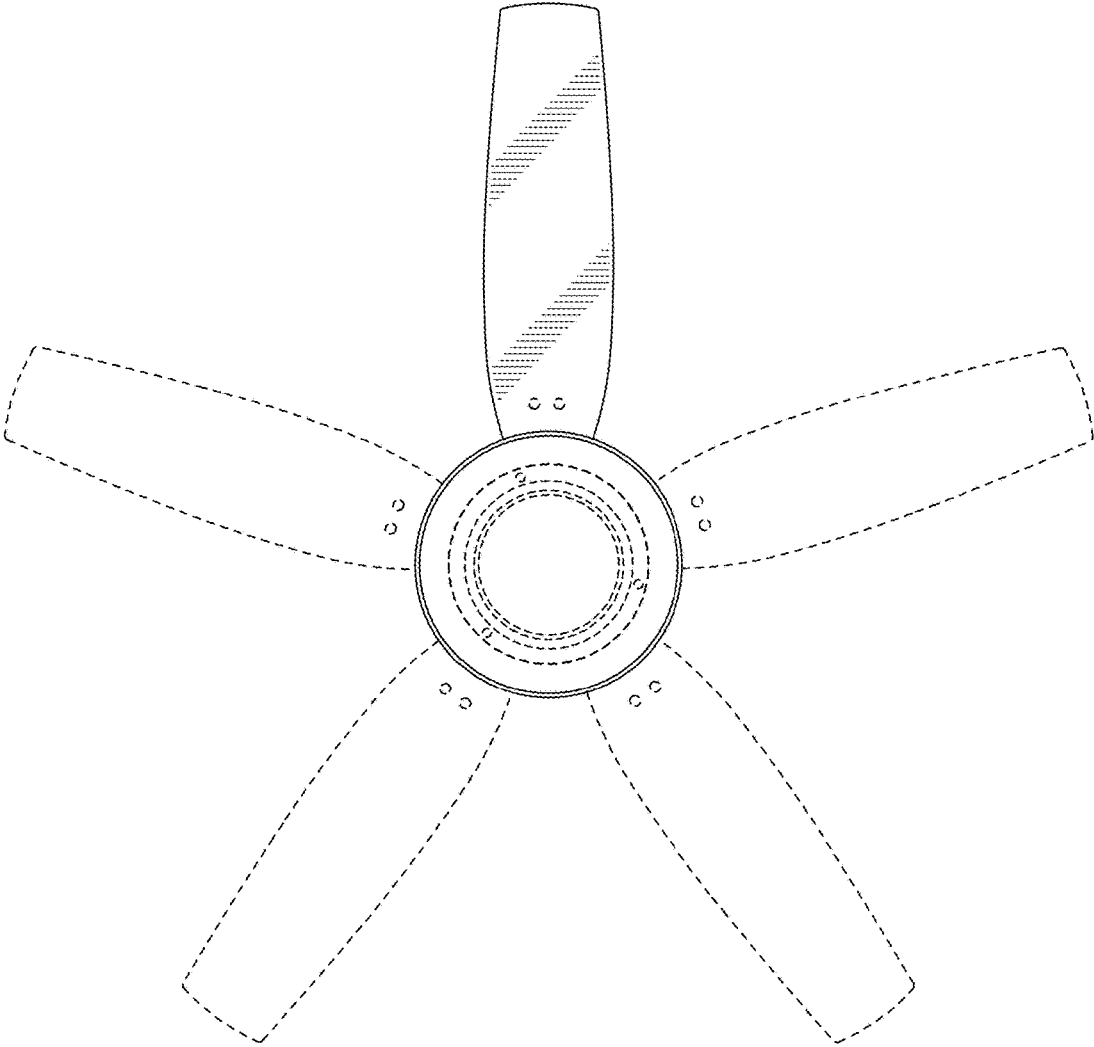


FIG. 7

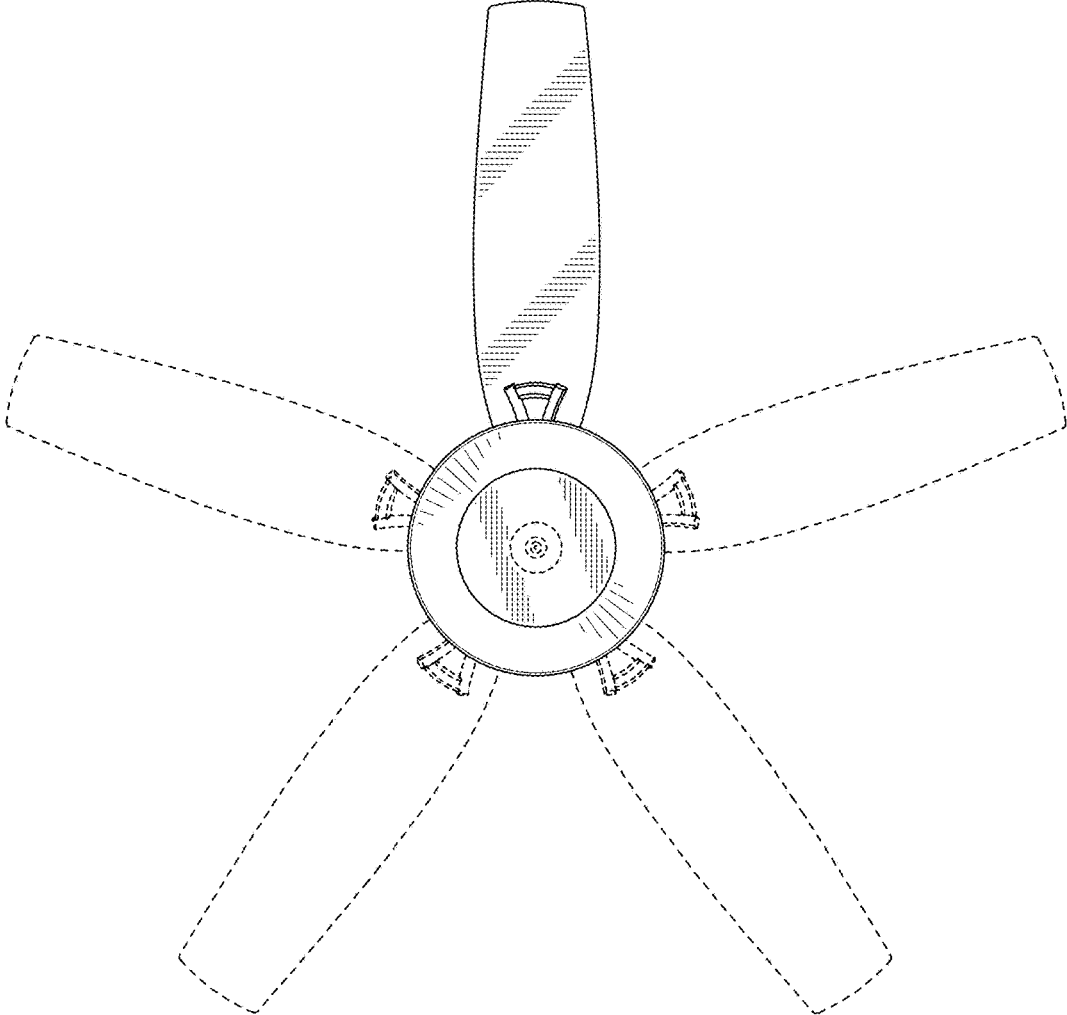


FIG.8