



US00D775124S

(12) **United States Design Patent**
Kim

(10) **Patent No.:** **US D775,124 S**

(45) **Date of Patent:** **** *Dec. 27, 2016**

(54) **MOBILE TERMINAL**

345/901, 905; 361/679.26, 679.3, 679.55,
361/679.56

(71) Applicant: **Samsung Electronics Co., Ltd.**,
Suwon-si (KR)

See application file for complete search history.

(72) Inventor: **Dong-Hyun Kim**, Suwon-si (KR)

(56) **References Cited**

(73) Assignee: **Samsung Electronics Co., Ltd.**,
Suwon-si (KR)

U.S. PATENT DOCUMENTS

(*) Notice: This patent is subject to a terminal disclaimer.

6,268,857 B1 *	7/2001	Fishkin	G06F 1/16
				345/156
D461,802 S *	8/2002	Tu	D14/341
D476,987 S *	7/2003	Takiguchi	D14/341
6,757,156 B2 *	6/2004	Adams et al.	361/679.03
D513,267 S *	12/2005	Chen	D14/496
D534,183 S *	12/2006	Leija et al.	D14/496
D539,678 S *	4/2007	Hilbert	D10/65
D557,259 S *	12/2007	Hirsch	D14/217

(Continued)

(**) Term: **14 Years**

FOREIGN PATENT DOCUMENTS

(21) Appl. No.: **29/514,145**

KR 10-2010-0027502 A 3/2011

(22) Filed: **Jan. 8, 2015**

OTHER PUBLICATIONS

Related U.S. Application Data

Samsung demos curved phone concepts, posted Jan. 14, 2013 [online], [retrieved Apr. 2, 2015]. Retrieved from internet, <http://www.slashgear.com>.*

(63) Continuation of application No. 13/735,484, filed on Jan. 7, 2013.

(Continued)

(30) **Foreign Application Priority Data**

Primary Examiner — Barbara Fox

Jan. 7, 2012 (KR) 10-2012-0002968

(74) *Attorney, Agent, or Firm* — NSIP Law

(51) **LOC (10) Cl.** **14-02**

(57) **CLAIM**

(52) **U.S. Cl.**

I claim the ornamental design for a mobile terminal, as shown and described.

USPC **D14/341**

DESCRIPTION

(58) **Field of Classification Search**

USPC . D14/341-347, 137, 138 R, 138 AA, 138 C, D14/138 G, 496, 203.1, 203.3, 203.4, D14/203.7, 129, 130, 147, 218, 248, 389, D14/388, 426, 420; D10/65, 104.1; D18/6-7; D21/324, 329, 330; 455/556.1, 455/556.2, 566, 575.1, 90.3; 379/433.04, 379/433.01, 433.06, 916; 345/173,

FIG. 1 is a front perspective view of a mobile terminal showing my new design;
FIG. 2 is a front view thereof;
FIG. 3 is a rear view thereof;
FIG. 4 is a left-side view thereof;
FIG. 5 is a right-side view thereof;
FIG. 6 is a top view thereof;

(Continued)

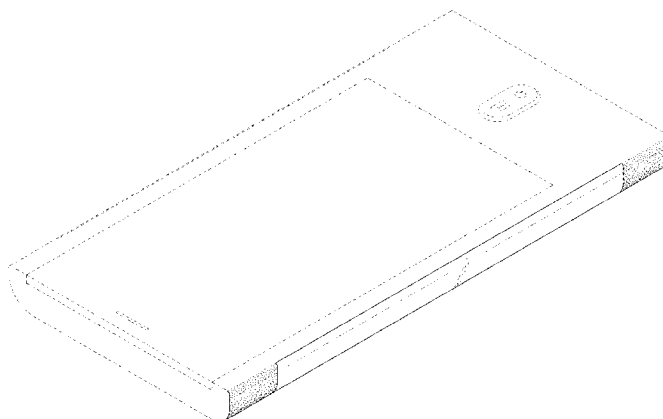


FIG. 7 is a bottom view thereof; and, FIG. 8 is a rear perspective view thereof. The broken lines shown in the drawings represent portions of the mobile terminal that form no part of the claimed design. The shade lines and the dense stipple shading represent the claimed surfaces of the design, and do not represent surface ornamentation.

1 Claim, 6 Drawing Sheets

(56)

References Cited

U.S. PATENT DOCUMENTS

D558,758 S * 1/2008 Andre et al. D14/341
 D562,848 S * 2/2008 Andre et al. D14/496
 D572,267 S * 7/2008 Andre et al. D14/496
 D593,551 S * 6/2009 Ferrari et al. D14/341
 D606,512 S * 12/2009 Wood D14/203.3
 D609,233 S * 2/2010 Wood et al. D14/341
 D609,671 S * 2/2010 Su et al. D14/138 AA
 D612,355 S * 3/2010 Luo D14/138 AC
 D613,762 S * 4/2010 Jones et al. D14/496
 D620,488 S * 7/2010 Andre et al. D14/341
 D622,719 S * 8/2010 Andre D14/341
 D624,536 S * 9/2010 Andre et al. D14/341
 D629,376 S * 12/2010 Choi D14/138 G
 D656,475 S 3/2012 Han
 D657,332 S 4/2012 Veiga et al.
 8,213,997 B2 * 7/2012 Cao 455/566
 D665,766 S 8/2012 Eguchi
 8,260,363 B2 9/2012 Roberts et al.
 D670,262 S * 11/2012 Mitchell D14/138 G
 D673,947 S * 1/2013 Andre et al. D14/341
 D673,949 S * 1/2013 Andre et al. D14/341
 D675,178 S 1/2013 Kim
 D677,234 S 3/2013 Hirano
 D677,643 S * 3/2013 Park D14/138 G
 D678,270 S 3/2013 Song et al.
 D681,632 S * 5/2013 Akana et al. D14/341
 D688,217 S 8/2013 Son
 8,502,788 B2 * 8/2013 Cho 345/173
 D692,879 S * 11/2013 Andre D14/341
 D693,323 S 11/2013 Kawase et al.
 D695,297 S * 12/2013 Sun et al. D14/440
 D695,735 S * 12/2013 Kitchen et al. D14/341
 D698,779 S * 2/2014 Kaula D14/341
 D701,191 S 3/2014 Suk
 D702,227 S * 4/2014 Washiyama D14/341
 D702,230 S * 4/2014 Toh et al. D14/341
 D705,779 S * 5/2014 Akana et al. D14/341
 8,736,162 B2 * 5/2014 Jin G09F 9/33
 313/483
 D711,335 S 8/2014 Kim
 D715,279 S 10/2014 Lee et al.
 D715,280 S 10/2014 Lee et al.
 D715,794 S * 10/2014 Zhou et al. D14/341
 D719,124 S 12/2014 Kim et al.
 D720,712 S 1/2015 Park et al.
 8,929,085 B2 * 1/2015 Franklin G06F 1/1626
 361/749

8,933,626 B2 * 1/2015 Choi et al. 313/511
 D722,310 S * 2/2015 Diebel D14/250
 D722,311 S * 2/2015 Diebel D14/250
 D724,572 S * 3/2015 Wildner D14/250
 D724,577 S * 3/2015 Yamazaki et al. D14/341
 D724,578 S * 3/2015 Yamazaki et al. D14/341
 D724,580 S * 3/2015 Yamazaki D14/341
 2008/0129647 A1 6/2008 Canova
 2008/0211733 A1 * 9/2008 Huitema G02F 1/133305
 345/3.1
 2009/0138736 A1 5/2009 Chin
 2010/0227651 A1 9/2010 Kim
 2011/0086680 A1 4/2011 Kim et al.
 2013/0002133 A1 * 1/2013 Jin et al. 313/511
 2013/0033434 A1 * 2/2013 Richardson et al. 345/173
 2013/0063891 A1 * 3/2013 Martisaukas G06F 1/1643
 361/679.56
 2013/0145311 A1 * 6/2013 Joo G06F 3/04886
 715/788
 2013/0300697 A1 * 11/2013 Kim et al. 345/173
 2014/0104202 A1 * 4/2014 Choi H05K 5/0017
 345/173
 2014/0111549 A1 * 4/2014 Vanska et al. 345/656
 2014/0132488 A1 * 5/2014 Kim H01L 51/52
 345/76
 2014/0247405 A1 * 9/2014 Jin et al. 349/12
 2014/0267091 A1 * 9/2014 Kim G06F 1/1652
 345/173
 2015/0003022 A1 * 1/2015 Chang G02F 1/133308
 361/748
 2015/0005043 A1 * 1/2015 Shiraiishi H04M 1/0249
 455/572
 2015/0015512 A1 * 1/2015 Kwak G06F 3/0416
 345/173
 2015/0043139 A1 * 2/2015 Myers G06F 1/1626
 361/679.3
 2015/0043142 A1 * 2/2015 Jang et al. 361/679.26

OTHER PUBLICATIONS

Samsung Galaxy Note Edge hands-on, posted Sep. 3, 2014 [online], [retrieved Apr. 2, 2015]. Retrieved from internet, <http://www.slashgear.com>.
 Galaxy Note Edge is a True Cutting-Edge Phablet, posted Nov. 13, 2014 [online], [retrieved Apr. 2, 2015]. Retrieved from internet, <http://techcrunch.com>.
 "Forget the Note Edge, this LG display bends on both sides" www.theverge.com <http://www.theverge.com/2015/1/7/7509047/lg-display-active-bending-smartphone-ces-2015> (accessed Jan. 7, 2015).
 "Sharp Aquos® Crystal" [www.sprint.com](http://shop.sprint.com) http://shop.sprint.com/mysprint/shop/phone_details.jsp?prodId=dvc8270008prd&deviceSKUId=8270271&initialLoad=true&flow=AAL&pptn=190galleryDemosSection (Accessed Jan. 7, 2015).
 "The Galaxy Note Edge: Samsung's first smartphone with a bent display" www.engadget.com <http://www.engadget.com/2014/09/03/samsung-galaxy-note-edge-hands-on/> (Accessed Jan. 7, 2015).
 International Search Report dated Apr. 30, 2013 issued by the International Searching Authority in counterpart International Application No. PCT/KR2013/000102 (PCT/ISA/210).

* cited by examiner

FIG. 1

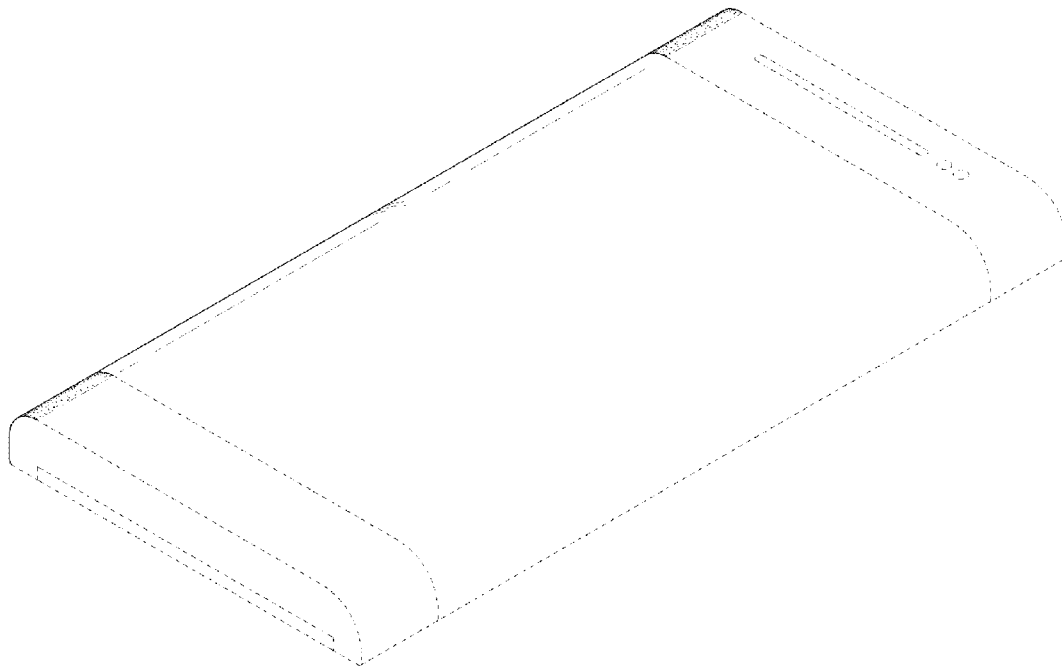


FIG. 2

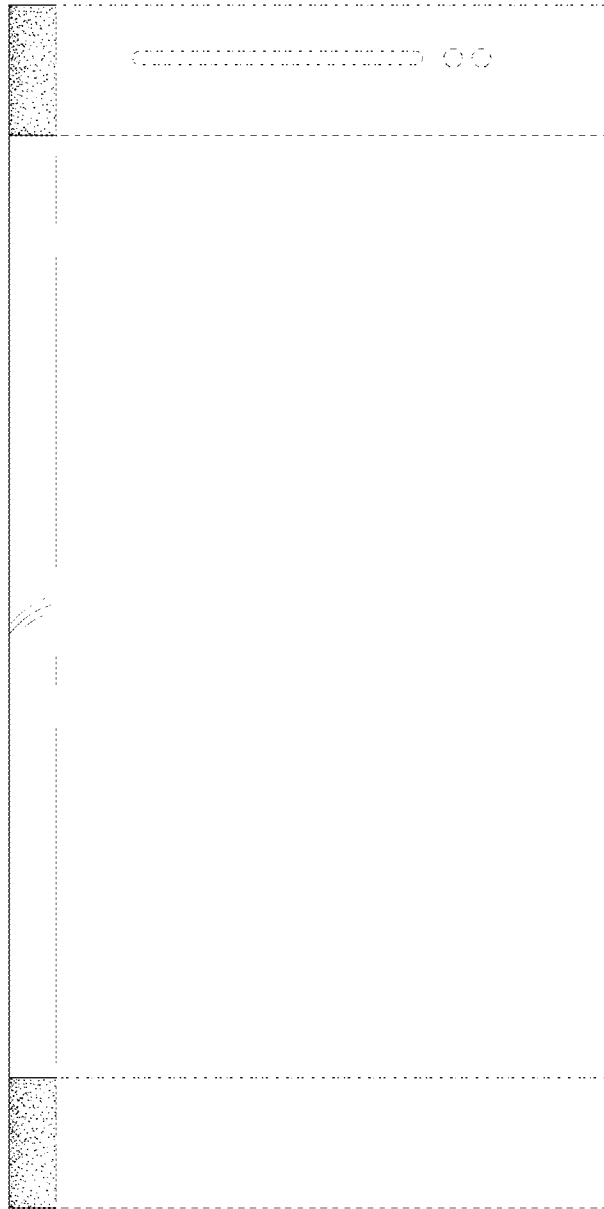


FIG. 3

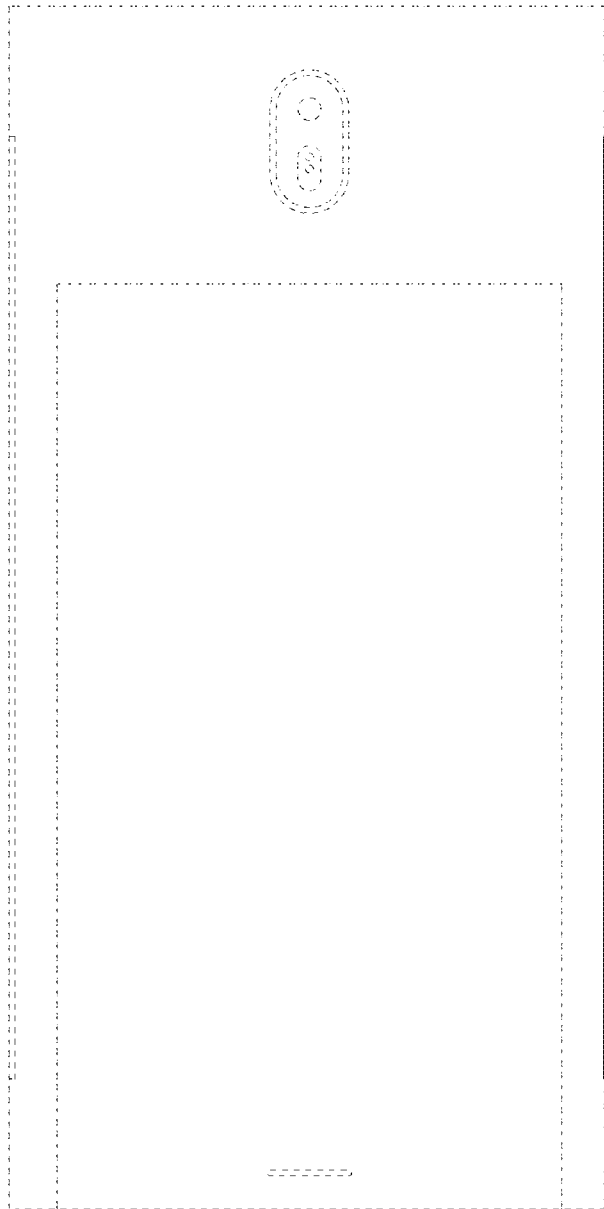


FIG. 4



FIG. 5

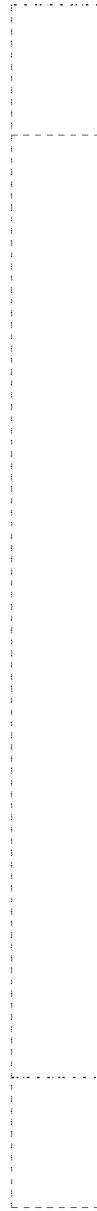


FIG. 6

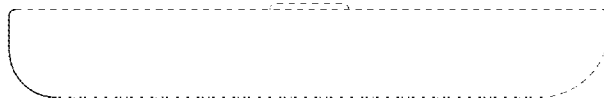


FIG. 7



FIG. 8

